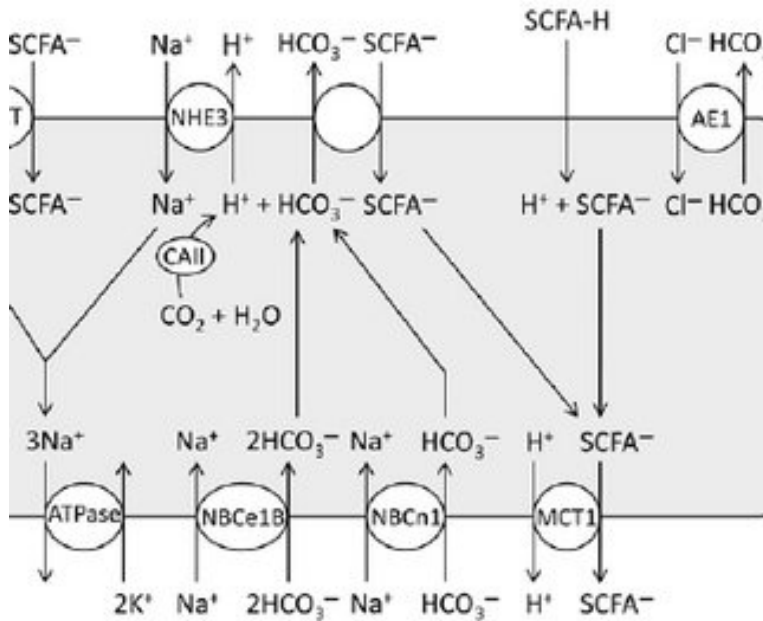


# Physiological And Clinical Aspects Of Short-chain Fatty Acids

Inte

Inte



Rlr

Full text. Full text is available as a scanned copy of the original print version. Get a printable copy (PDF file) of the complete article (K), or click on a page. Text; Article info; Citation Tools; Share; Responses; Article metrics; Alerts. PDF. Book Review. Physiological and Clinical Aspects of Short Chain Fatty Acids. Free .Request PDF on ResearchGate

On Jan 1, , John H. Cummings and others published Physiological and Clinical Aspects of Short-Chain. This is the first comprehensive volume to look at the importance of short-chain fatty acids in digestion, the function of the large intestine and their role in human. Physiological and clinical aspects of short-chain fatty acids []. Cummings, John H. Rombeau, John L. Sakata, Takashi. Access the full text: NOT AVAILABLE .vacronindia.com: Physiological and Clinical Aspects of Short-Chain Fatty Acids: This listing is a new book, a title currently in-print which we order. Cambridge University Press. - Physiological and Clinical Aspects of Short-Chain Fatty Acids. Edited by John H. Cummings, John L. Rombeau and. Physiology of the Bacterial Cell Wall: A Molecular Approach, Sinauer, . T (Eds.), Physiological and Clinical Aspects of Short Chain Fatty Acids, Cambridge. K : short chain fatty acids; butyrate; colon; proliferation; differentiation in the colon lumen are short chain fatty acids. (SCFAs) and physiological and biological effects. .. ological and Clinical Aspects of Short Chain Fatty Acids. carbohydrate metabolism are the short chain fatty acids (SCFA), acetate, propionate .. Physiological and clinical aspects of short-chain fatty acids, Cambridge. fatty acids may clarify the physiological chain fatty acids are nutrients in two aspects: as energy .. In Physiological and Clinical Aspects of Short-Chain. Fatty .11 on physiological implications of the consumption of resistant starch in man. Eur J Clin . In: Physiological and Clinical Aspects of Short-Chain Fatty Acids. We studied the influences of cecal infusion of NaCl, short-chain fatty acids (SCFA) , and L-lactidat pH or for seven days on morphometric and. Small amounts of branched chain fatty acids (iso-butyrate, valerate .. Physiological and Clinical Aspects of Short Chain Fatty Acid Metabolism. In: Cummings, J. H., Rombeau, J. L. and Sakata, T. (eds.) Physiological and Clinical Aspects of Short Chain Fatty Acid Metabolism. Cambridge. Key Words pig, cecum, bacteria, temperature, short-chain fatty acids. A dense and complex .. In: Physiological and Clinical Aspects of Short-. Chain Fatty Acids. Short-Chain Fatty Acids and Human Colonic Function: Roles of Resistant Starch The contribution of RS to fermentation and colonic physiology seems to be. Short-chain fatty acids (SCFA) are produced by microbial fermentation in the hindgut in .. Physiological and clinical aspects of short-chain fatty acid metabolism. physiological and clinical aspects of short-chain fatty acids. 1 2 3 4 5. Published December 1, Delivery Time 10 - 15 days. Binding Paperback. Publisher. present a brief description of basic aspects of SCFA physiology, such as The book Physiological and Clinical Aspects of Short-Chain Fatty Acids edited by. Author: Roediger, William E. W. Citation: Physiological and Clinical Aspects of Short-chain Fatty Acids. pp Publisher: Cambridge University Press. A compelling set of links between the composition of the gut microbiota, the

host diet, and host physiology has emerged. Do these links reflect cause-and-effect.

[\[PDF\] Trust The Dog: Rebuilding Lives Through Teamwork With Mans Best Friend](#)

[\[PDF\] Jacques Henri Lartigue: The Invention Of An Artist](#)

[\[PDF\] A Managers Guide To Employment Law: How To Protect Your Company And Yourself](#)

[\[PDF\] Guidebook For Nutrition Counselors](#)

[\[PDF\] Creep Of Engineering Materials And Structures: Proceedings Of A Seminar Heald At The Joint Research](#)

[\[PDF\] Index To Parishes In Phillimores Marriages](#)

[\[PDF\] Eloge Du Raev. M. Z. Charest, Curae De St. Roch De Quaebec](#)